



Software Flashing System for ECU In-Line flashing and ECU testing



SFS is the solution for automatic software flashing end testing. SFS is a unique instrument for the programming of single and multiprocessor ECUs and for low power digital, analog and communication testing.

MAIN FEATURES:

- ⊙ Single power supply 220Vac
- ⊙ Multiple communication BUS
- ⊙ Multiple processors flashing support
- ⊙ JTAG, CAN, and serial mini boot flashing
- ⊙ Communication protocols test
- ⊙ True power load or simulated
- ⊙ Signal measurement
- ⊙ Testing sequence easy to configure
- ⊙ Debug section for easy trouble-shooting
- ⊙ Ready to be introduced in production line

TECHNICAL SPECIFICATIONS

Specification	Description	Note
Analog input	16 differential channels up to 50Vdc	Expandable up to 48 channels
Digital I/O	8 digital input 16 digital output	Expandable up to 32 In + 96 Out
Communication BUS	CAN, LIN, KLine, JTAG, TTL Tx/Rx	
Power	Voltage : 230 V AC- 50 Hz Air supply : 6 bar	Power consumption : 400 W
Dimensions	WxHxD : 600 x 1700 x 900 mm	



FLEXIBILITY AND MODULARITY

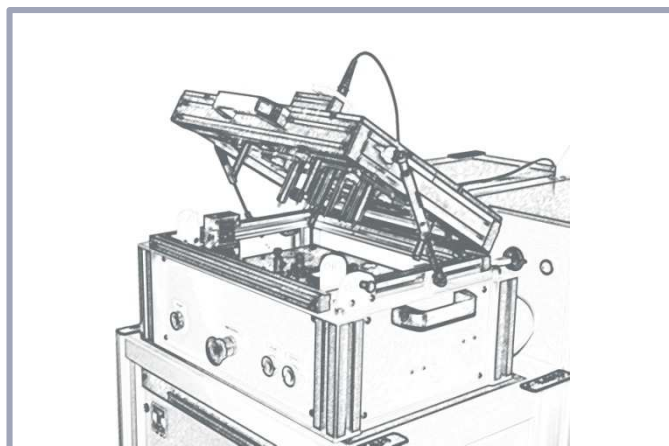
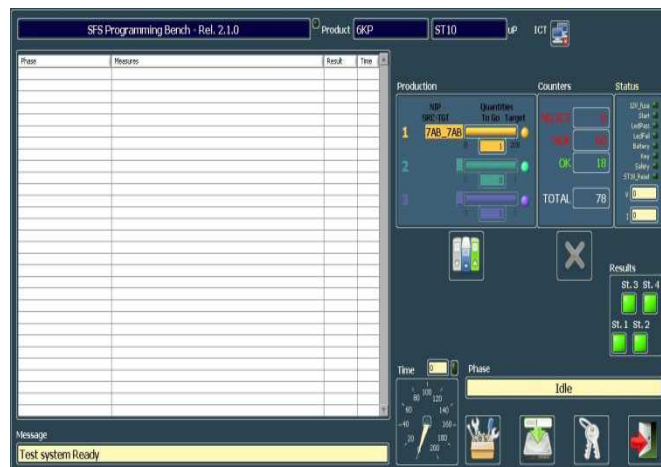
SFS is the ultimate solution for ECU flashing with many algorithm support with the integration of “in-line” testing of small ECU.

SFS can be scaled on customer needs to achieve the performance suitable for the application. Moreover with its reconfigurable and customizable test sequences the system can support different product configurations. Eventually the presence of real loads ensure the complete tests coverage.

SFS’s easy to operate interface and debug capabilities offer quick setup and trouble-shooting. In addition easy unlock and release fixture allows flexible adaptation to production changes.

APPLICATIONS

- ⊙ ECU Flashing systems
- ⊙ Intermediate test pattern verification
- ⊙ ECU reconfiguration and verification
- ⊙ Automatic calibration and measurement systems
- ⊙ Real-application protocols test



CONFIGURATION AND OPTIONS

Product code	I/O	A/D	Connections	ECU Testing	Description
SFS.JT	8in 16out	16ch	JTAG CAN KLine	X	Standard Flashing bench, for ECU test with real loads
SFS.CAN	8in 16out	16ch	CAN Tx/Rx KLine	X	Software Flashing System, for ECU flashing and verification
SFS.ERS	16in 32out	32ch	CAN	X	ECU Reconfiguration System, for ECU data parameterization, reconfiguration , calibration and testing.
SFS.LC	8in 16out	8ch	Tx/Rx KLine	X	Low cost flashing system, testing on simulated loads.